

Dr. Maisch

Any Column, Any Size, Any Media

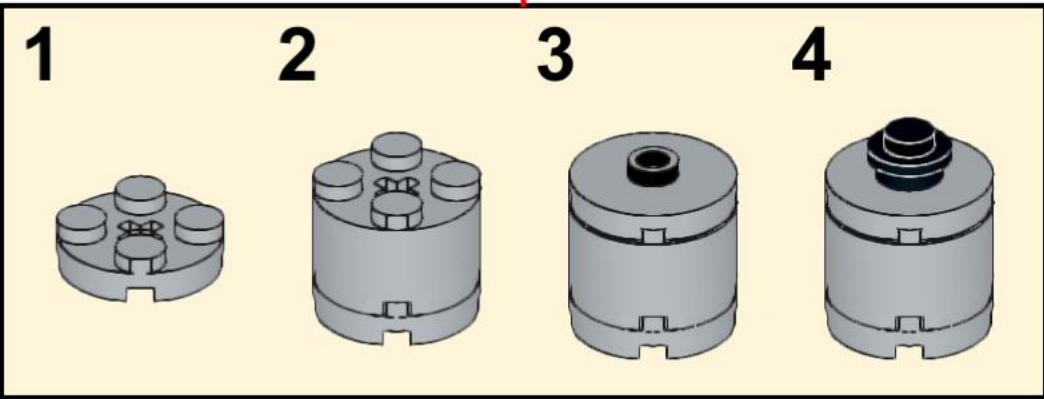
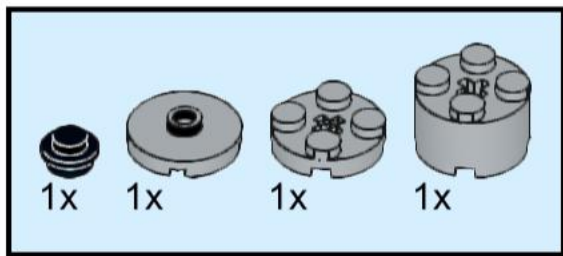
Brick your own

HPLC Column!

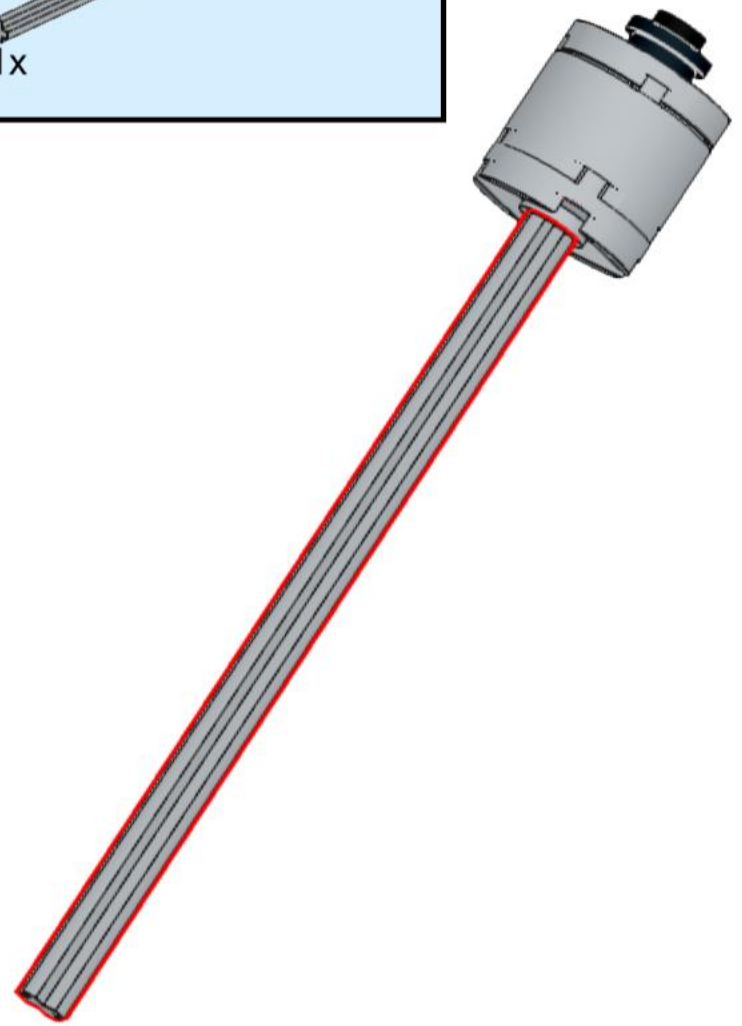
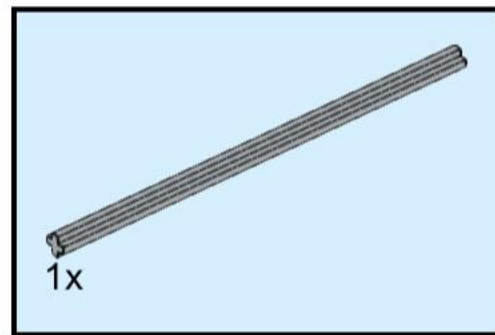
Model Design by Br1ckD3sign



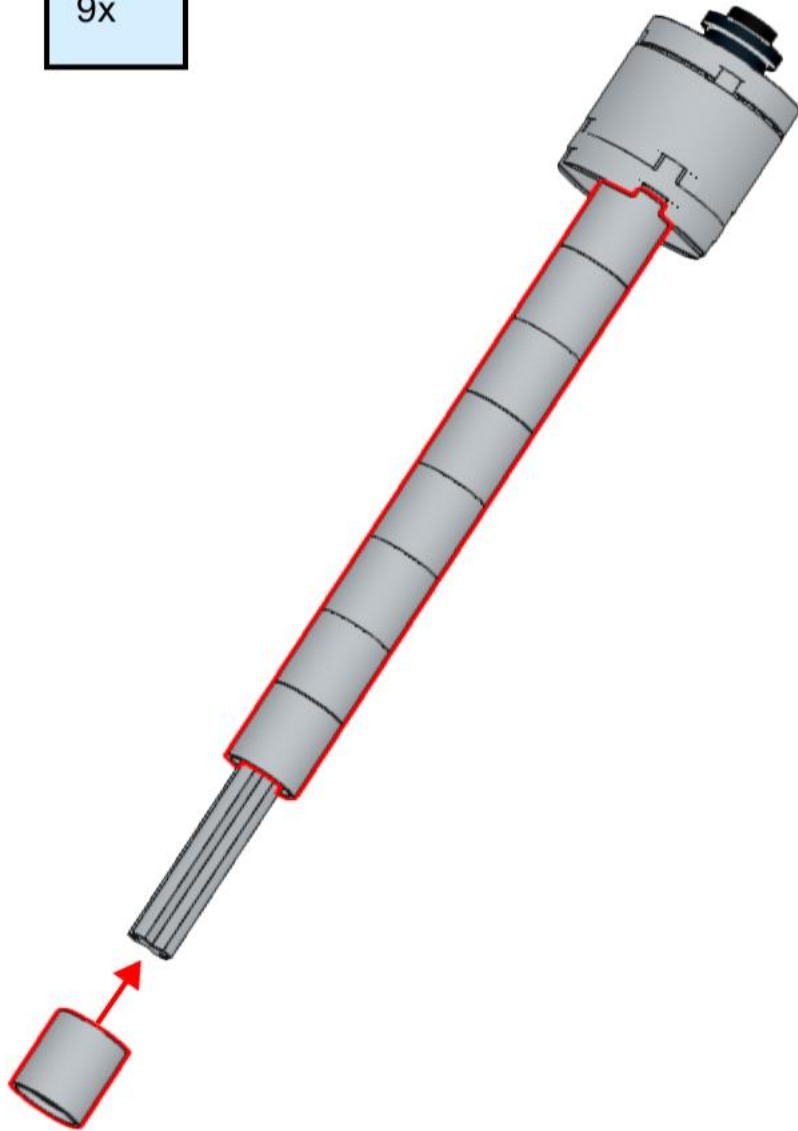
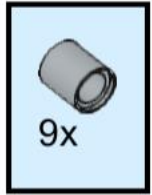
1



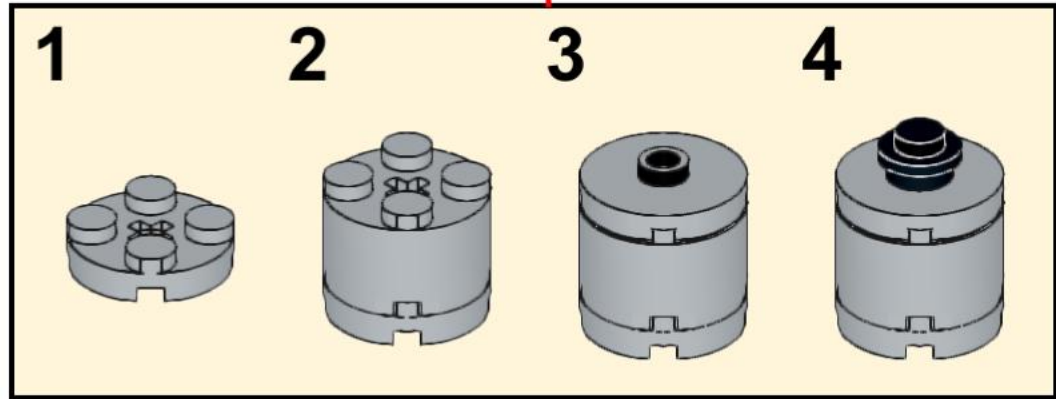
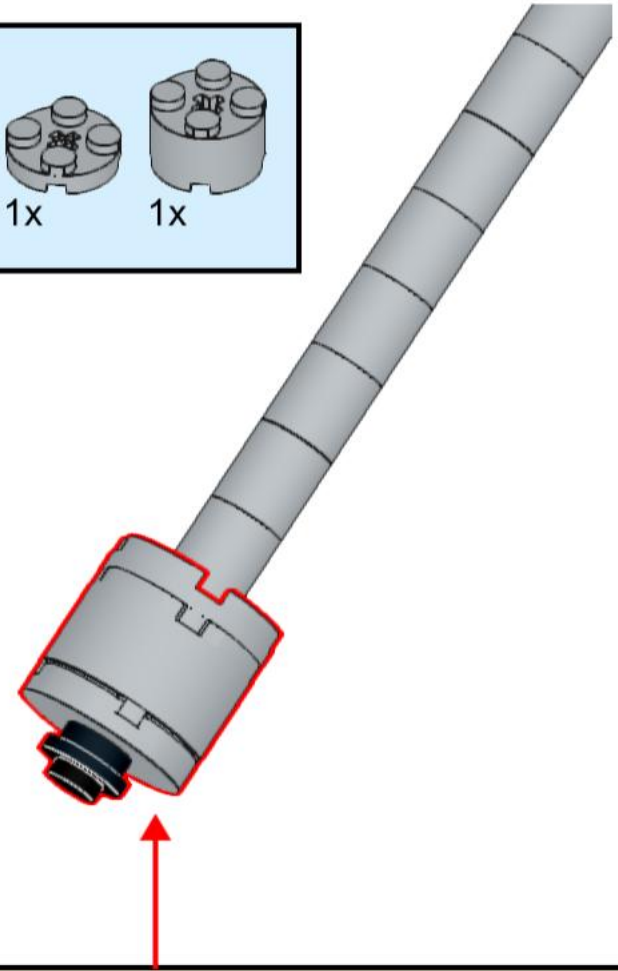
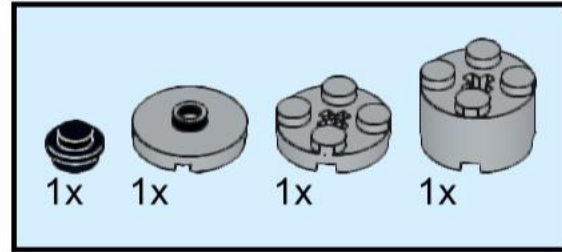
2



3

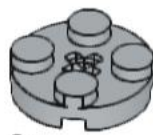


4

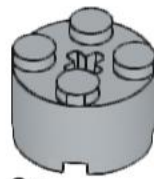




2x
4073, 11



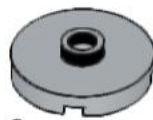
2x
4032, 86



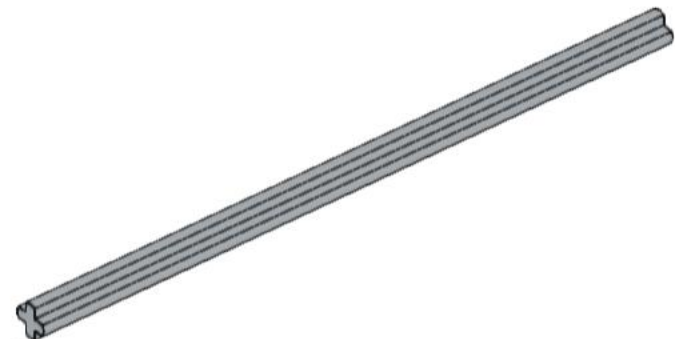
2x
3941, 86



9x
18654, 86



2x
18674, 86



1x
23948, 86